

## Application

Widely used in residential and shutter applications.

To cover any width of opening, any number of panels can be used.

To accommodate different building designs, panels can slide to one or both sides.

Where panels are fitted externally, a canopy is recommended.

## Panel Specification

|                        |                       |
|------------------------|-----------------------|
| <b>Track System:</b>   | <b>Single Run 100</b> |
| For Individual Panels: |                       |
| Max Panel Height       | 3000mm                |
| Max Panel Weight       | 100kg                 |
| Min Panel Thickness    | 28mm                  |

For ease of operation it is recommended that the panel width should not exceed 75% of panel height.

Timber panels for interior use can be of flush construction or glazed. Timber panels for industrial applications should be framed, ledged and braced. Metal panels should be constructed of box section, channel or angle framing, well braced and clad with flat or corrugated sheets.

## Standard Sets and Packs

Sets comprise of top track, hangers, clip stops, nylon guides and timber screws.

| Set No.      | Max. Panel Width | Track Length | Material                    |
|--------------|------------------|--------------|-----------------------------|
| SR100-20/1   | 950mm            | 2000mm       | Chrome bearings, mill track |
| SR100SS-20/1 | 950mm            | 2000mm       | SS bearings, anodised track |
| SR100-30/1   | 1450mm           | 3000mm       | Chrome bearings, mill track |
| SR100SS-30/1 | 1450mm           | 3000mm       | SS bearings, anodised track |

| Pack No.    | Description                              |
|-------------|--|
| SR100-1PK   | Fitting pack only, no track              |
| SR100SS-1PK | Fitting pack only, no track, SS bearings |

## Hardware Specification

|                  |                                   |
|------------------|-----------------------------------|
| <b>Track:</b>    | 100                               |
| Material         | Aluminium                         |
| Finish           | Mill or clear anodised            |
| Standard lengths | 2000mm, 3000mm, 4000mm and 6000mm |

|                                    |         |
|------------------------------------|---------|
| <b>Brackets:</b>                   |         |
| Face fitted stainless steel, angle | 91      |
| Double face fitted bracket SS      | 5SS/120 |
| Fit at 400mm maximum centres       |         |

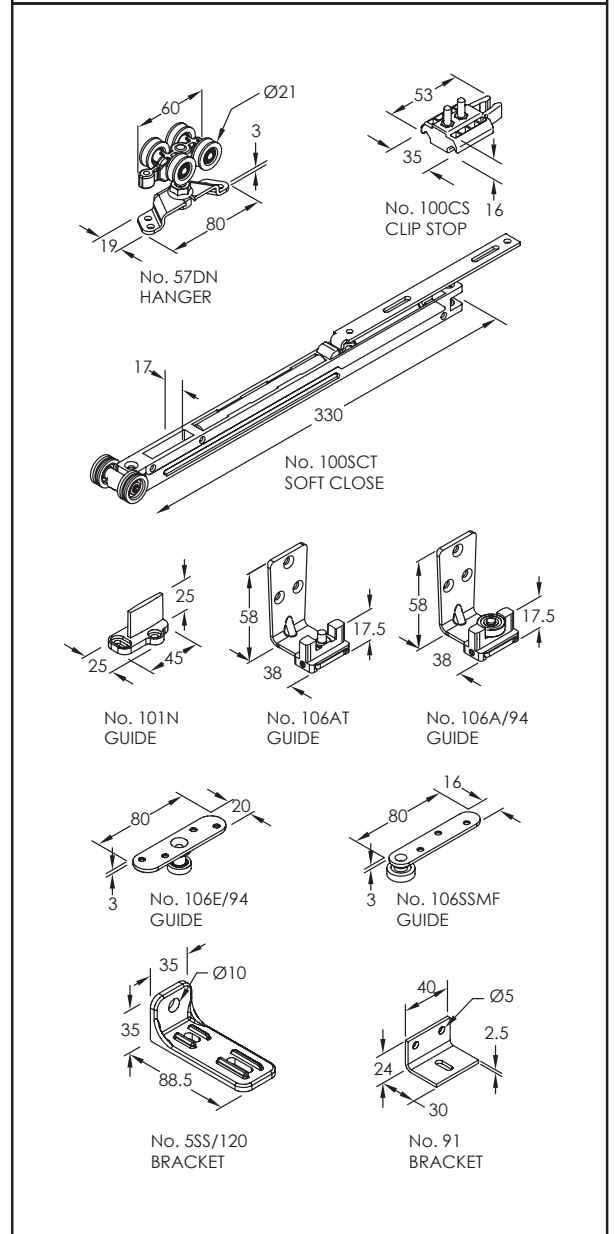
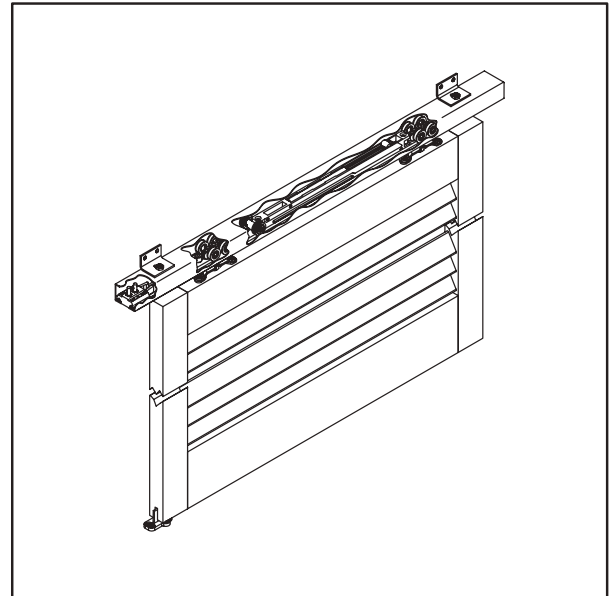
|                                 |      |                  |
|---------------------------------|------|------------------|
| <b>Hangers (2 per panel):</b>   |      | Stainless Option |
| Timber panels - plate (surface) | 57DN | 57SS/DN          |
| Timber panels - plate (flush)   | 58DN | 58SS/DN          |

Hangers supplied with fixing plate and nylon tyred precision bearings. Vertical adjustment is simple and positive. Nylon tyre wheel hangers should not be used on installations involving temperatures exceeding 80°C.

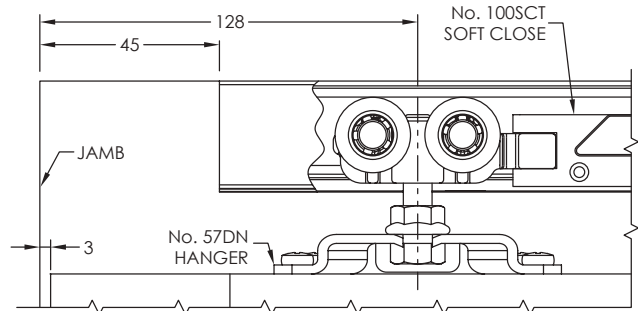
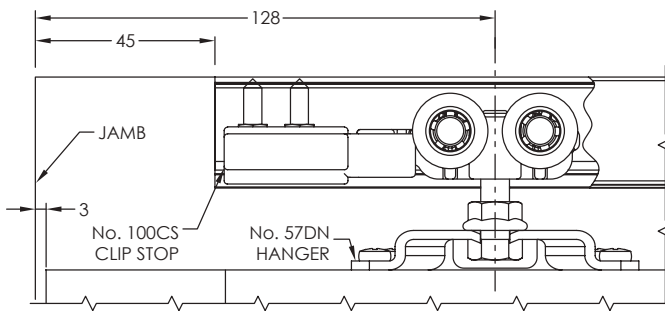
|  |         |
|--|---------|
| <b>Guides:</b>                         |         |
| Timber panels - SS plate (94 channels) | 106E/94 |
| Timber panels - SS plate (96W channel) | 106SSMF |
| Timber panels - nylon guide            | 101N    |
| Multiple panels - bearing              | 106A/94 |
| Multiple panels - T slot               | 106AT   |

|                           |                                   |
|---------------------------|-----------------------------------|
| <b>Channels:</b>          |                                   |
| Aluminium & Polypropylene | 94PPA Mill or clear anodised      |
| Aluminium                 | 94A Mill or clear anodised        |
|                           | 96W Clear anodised                |
| Brass                     | 94B                               |
| Standard lengths          | 2000mm, 3000mm, 4000mm and 6000mm |

|   |        |
|---|--------|
| <b>Accessories:</b>   |        |
| Door Collector - multiple panels  | 924-DC |
| Soft Close  | 100SCT |
| Clip Stop   | 100CS  |
| Flush Pulls   | 401    |
| Flush Bolts   | 456    |
| Flush bolts and flush pulls are available in (PVDB) PVD Brass, (SN) Satin Nickel & (PN) Polished Nickel |        |
| Simultaneous Accessory Kit - 2 door panel   | SIM/2  |



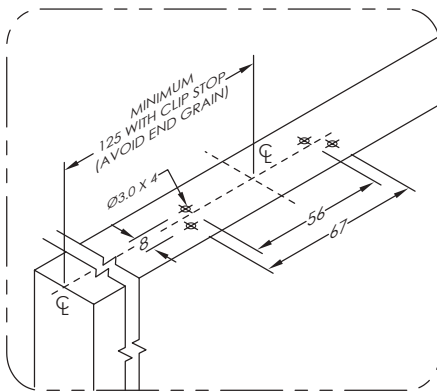
**TRACK FIXING CENTRES**  
20mm FROM EACH END, 400mm MAXIMUM SPACINGS



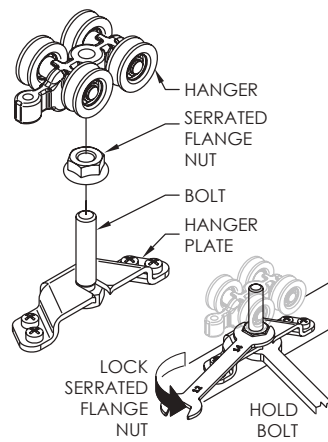
620 MIN PANEL WIDTH SINGLE SOFT CLOSE  
970 MIN PANEL WIDTH FOR DOUBLE SOFT CLOSE

**PANEL PREPARATION**

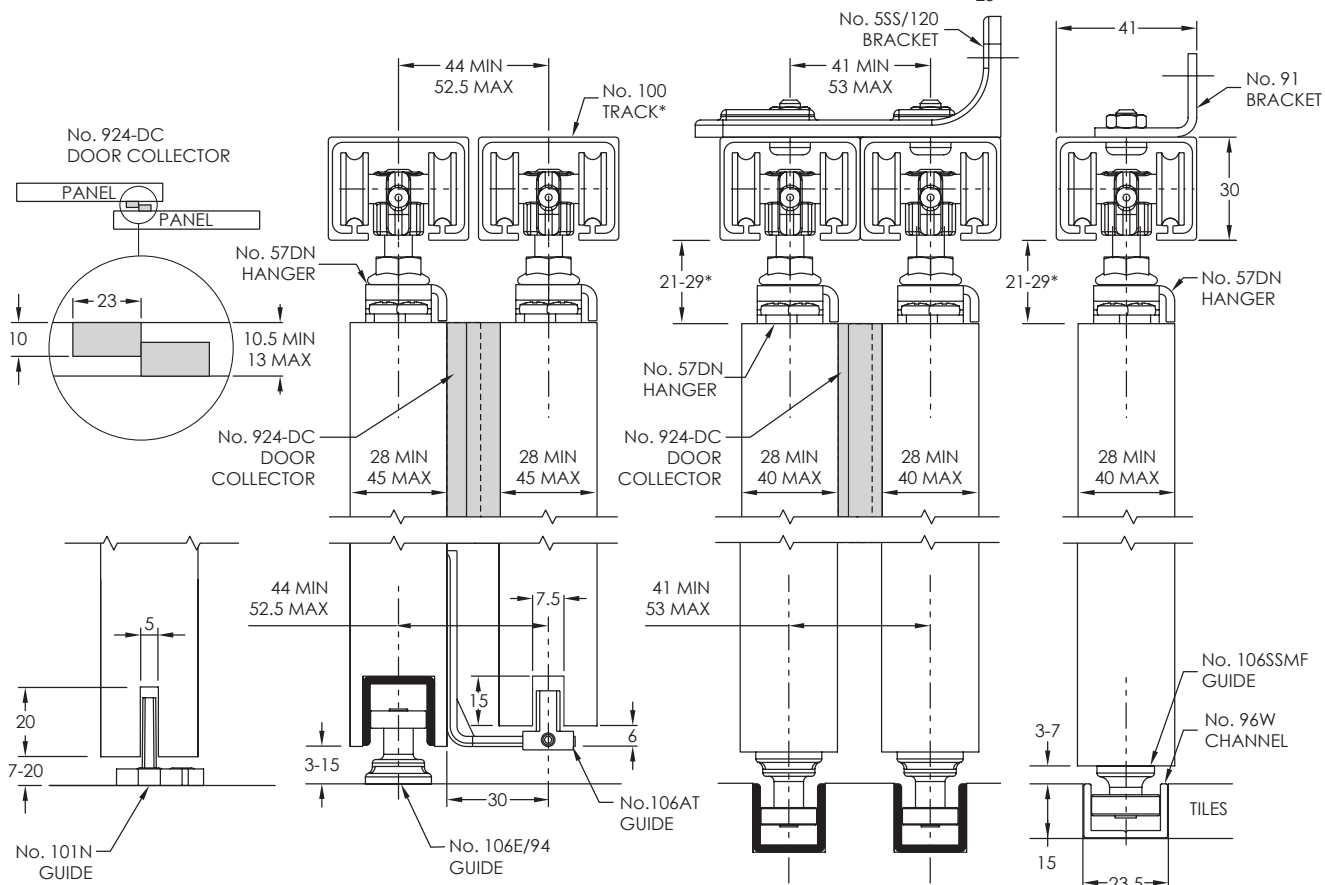
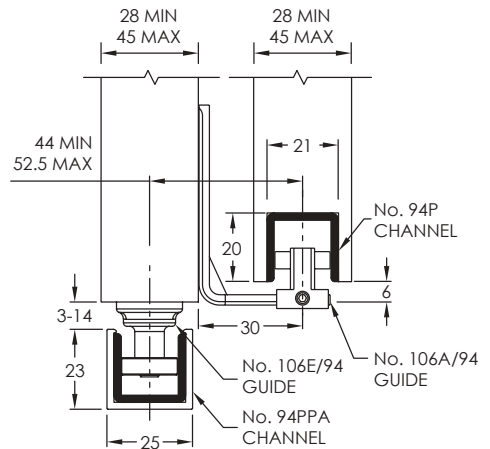
**No. 57ENP HANGER**



**HANGER ASSEMBLY**



**GUIDE OPTIONS**



\* WHEN USING No. 100SCT SOFT CLOSE:  
1. CLEARANCE 24-29  
2. No. 100 TRACK TO BE USED WITH AN ANODISED FINISH ONLY