

### Application

Suitable for residential and light commercial end folding partitions.

Panels can fold to one or both sides of the opening and can be stacked behind a reveal if required.

To cover any width opening, any number of folding units can be used.

### Panel Specification

Track System:	Endfold 35
For Individual Panels:	
Max Panel Height	2400mm
Max Panel Weight	35kg
Max Panel Width	900mm
Min Panel Thickness	35mm

A guide system across the floor must be used on units of four panels or more.

Units of up to six panels can be hinged to a post. A unit with an odd number of panels, provides a hinged access door.

Floating units consist of four or six panels.

Panels should be constructed to provide secure fitting for the hangers, hinges and guides and can be flush, panelled or glazed.

### Standard Packs

Pack No.	Hardware for	Content
EF35-APK	Add-on Pack	Hanger, guide, six hinges, all timber screws and instructions.
EF35-2PK	2 Panel Pack	Hanger, door stop, six hinges, all timber screws and instructions.
EF35-4PK	4 Panel Pack	Two hangers, door stop, two guides, twelve hinges, all timber screws and instructions.
EF35-6PK	6 Panel Pack	Three hangers, door stop, three guides, eighteen hinges, all timber screws and instructions.

For any folding units select one basic pack and sufficient EF35-APK add-on fitting packs and a suitable length of 100 track (see below) to cover width of opening.

### Hardware Specification

<b>Track:</b>	100
Material	Aluminium, Mill or Clear Anodised
Standard Lengths	2000mm, 3000mm, 4000mm & 6000mm

<b>Bracket (Face Fix):</b>	
Bracket, 316 Stainless Steel	1SS/250
Brackets located close together at the pivot end of the track with other brackets at 400mm centres.	

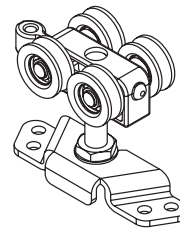
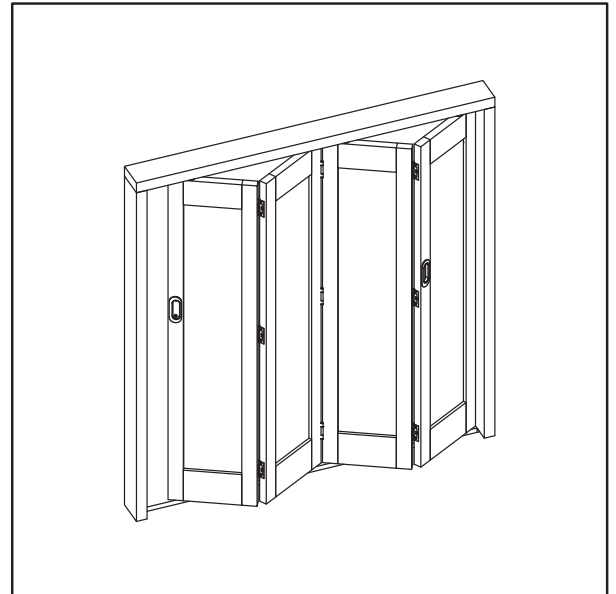
<b>Hanger:</b>	57ENP
Hanger fitted with nylon tyre wheels on ball race bearings. Vertical adjustment is simple and positive.	

<b>Guide:</b>	106SSMF
Stainless steel plate with precision bearing	

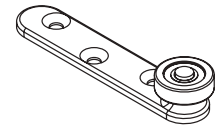
<b>Hinge:</b>	282SS
Stainless steel hinge for 19mm minimum panel thickness, 65mm tall, non-mortice	

<b>Channels:</b>	
Aluminium	96W
Finish	Clear Anodised
Standard Lengths	2000mm, 3000mm, 4000mm and 6000mm

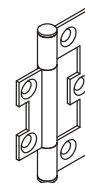
<b>Accessories:</b>	
Flush Pull	401
Flush bolt	456



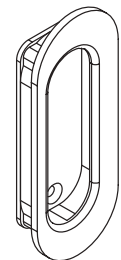
No. 57ENP  
HANGER



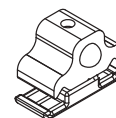
No. 106SSMF  
GUIDE



No. 282SS  
HINGE



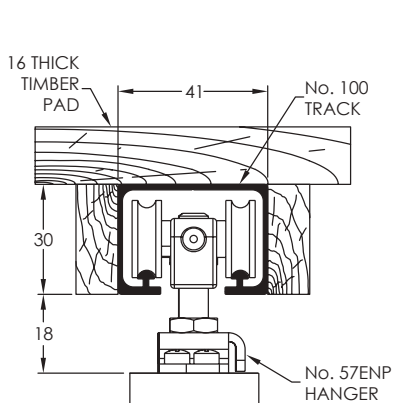
No. 401  
FLUSH PULL



No. 20DS  
DOOR STOP

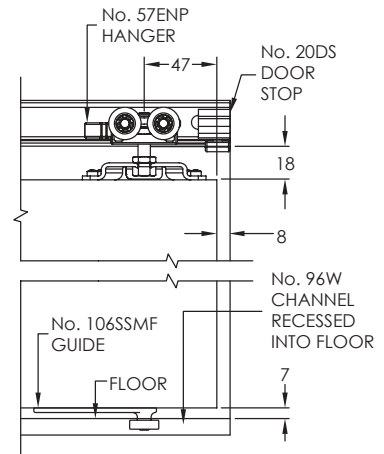
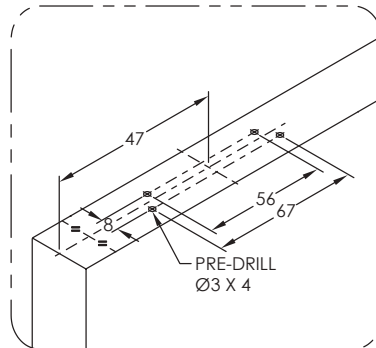


No. 96W  
CHANNEL

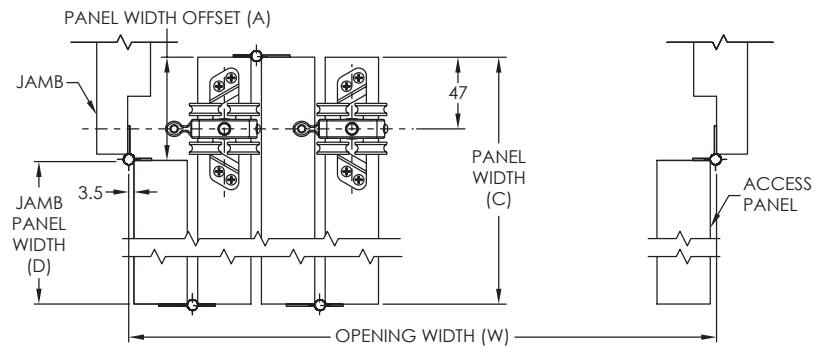


### PANEL PREPARATION

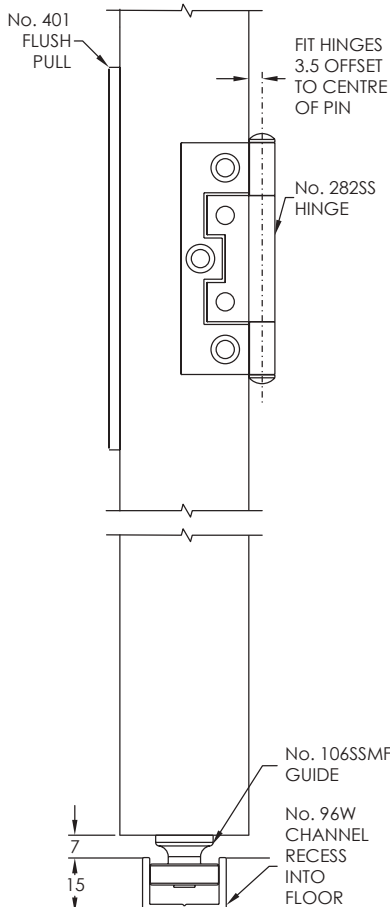
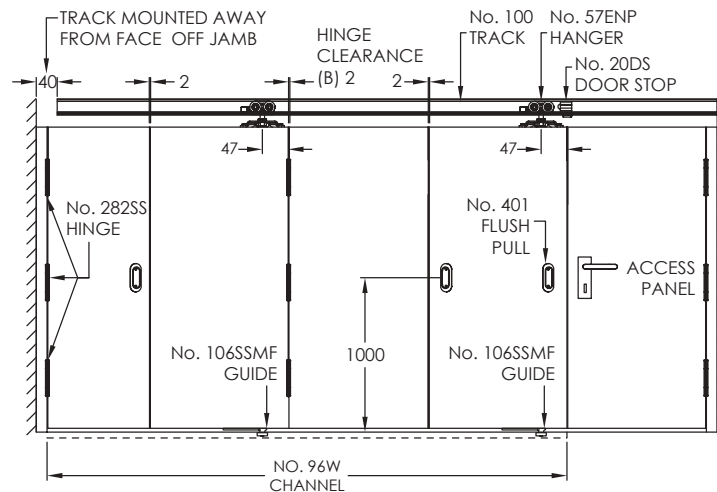
No. 57ENP HANGER



### 4+1 PANEL SYSTEM - OPEN (SHOWN WITHOUT TRACK, SILL OR HEAD SECTION)



### 4+1 PANEL SYSTEM - CLOSED (TYPICAL ELEVATION)



### HINGED TO JAMB - PANEL WIDTH CALCULATIONS

A (PANEL WIDTH OFFSET) = HANGER OFFSET (47mm) + ½ PANEL THICKNESS + HINGE PIN OFFSET (3.5mm)
B (TOTAL CLEARANCES) = HINGE CLEARANCE (2mm) X (NUMBER OF PANELS + 1)
C (FULL PANEL WIDTH - FOLDING ONE WAY) = $\frac{\text{OPENING WIDTH} + A - B}{\text{NUMBER OF FULL PANELS}}$
C (FULL PANEL WIDTH - FOLDING TWO WAYS) = $\frac{\text{OPENING WIDTH} + (A \times 2) - B}{\text{NUMBER OF FULL PANELS}}$
D (JAMB LEAF WIDTH) = FULL PANEL WIDTH C - A