

## Application

Suitable for residential and light commercial folding partitions, using equal sized panels.

Panels can fold to one or both sides of the opening.

To cover any width opening, any number of folding units can be used.

## Panel Specification

Track System:	Pivotfold 35
For Individual Panels:	
Max Panel Height	2400mm
Max Panel Weight	35kg
Max Panel Width	900mm
Min Panel Thickness	35mm

Units of up to six panels can be pivoted to each side of the opening. Units with an odd number of panels provide an access panel.

A guide system across the floor must be used on units of three panels or more. Floating units consist of four or six panels.

Panels should be constructed to provide secure fitting for the pivot sets, hangers, hinges and guides.

## Standard Packs

Pack No.	Hardware for	Content
PF35-2PKNC	2 Panel (No Channel)	Pivot, hanger, door stop, three hinges, all timber screws and instructions.
PF35-2PK	2 Panel Pack	Pivot, hanger, door stop, guide, three hinges, all timber screws and instructions.
PF35-4PK	4 Panel Pack	Pivot, two hangers, door stop, two guides, nine hinges, all timber screws and instructions.
PF35-6PK	6 Panel Pack	Pivot, three hangers, door stop, three guides, fifteen hinges, all timber screws and instructions.
PF35-APK	Add on 2 panel pack	Hanger, guide, six hinges, all timber screws and instructions.

For any folding units select one basic pack and sufficient PF35-APK add-on fitting packs and a suitable length of 100 track (see below) to cover width of opening.

## Hardware Specification

<b>Track:</b>	100
Material	Aluminium, Mill or Clear Anodised
Standard Lengths	2000mm, 3000mm, 4000mm and 6000mm

<b>Bracket (Face Fix):</b>	
Bracket 316 Stainless Steel	1SS/250

Brackets located close together at the pivot end of the track with other brackets at 400mm centres.

<b>Hanger:</b>	57ENP
----------------	-------

Hanger fitted with nylon tyre wheels on ball race bearings. Vertical adjustment is simple and positive.

<b>Pivot Set:</b>	35EP
-------------------	------

Top and bottom pivot sets

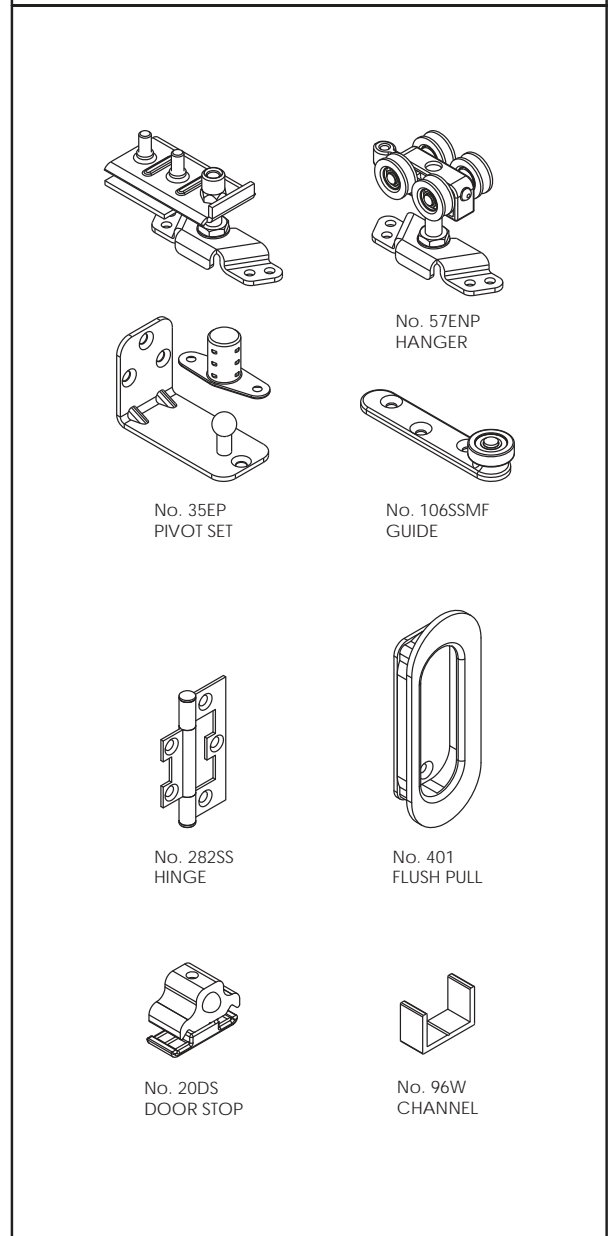
<b>Guide:</b>	106SSMF
Stainless steel plate with precision bearing	

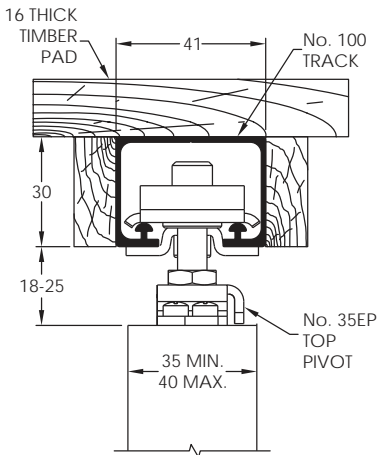
<b>Hinge:</b>	282SS
---------------	-------

Stainless steel hinge for 19mm minimum panel thickness, 65mm tall, non-mortice

<b>Channels:</b>	
Aluminium	96W
Finish	Clear Anodised
Standard Lengths	2000mm, 3000mm, 4000mm and 6000mm

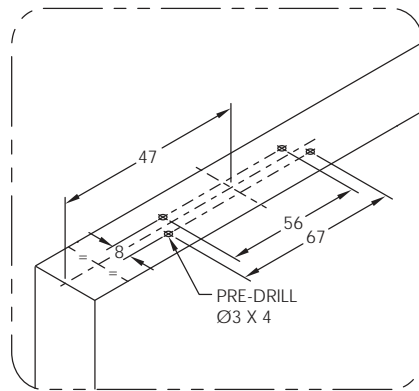
<b>Accessories:</b>	
Flush Pull	401
Flush bolt	456



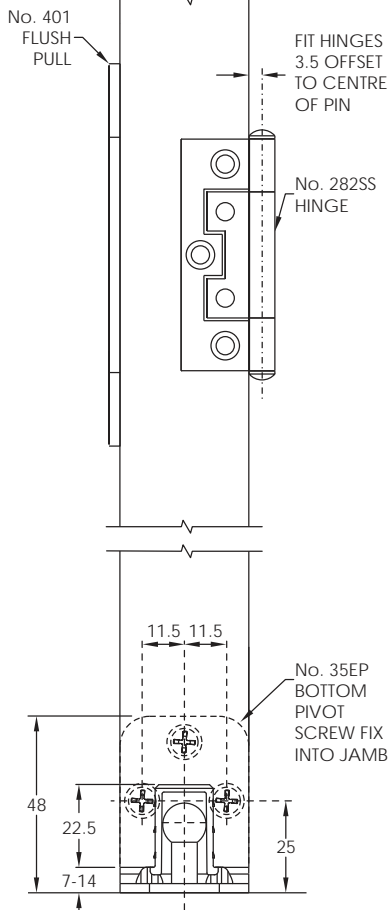
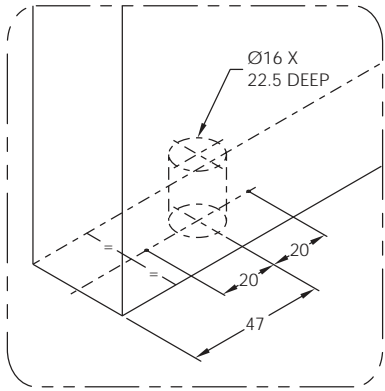


### PANEL PREPARATION

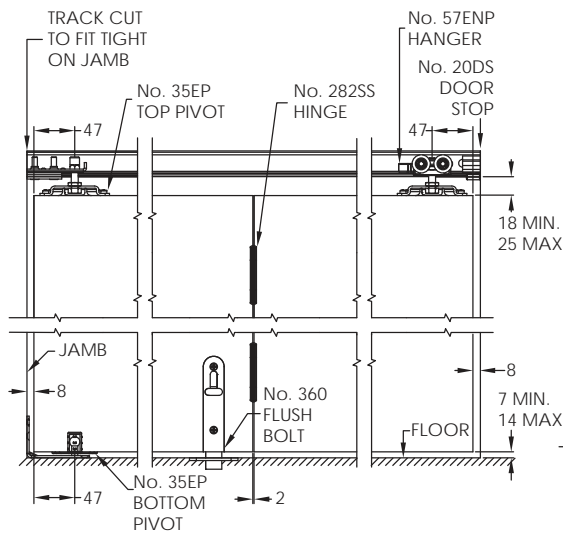
No. 57ENP HANGER AND No. 35EP TOP PIVOT



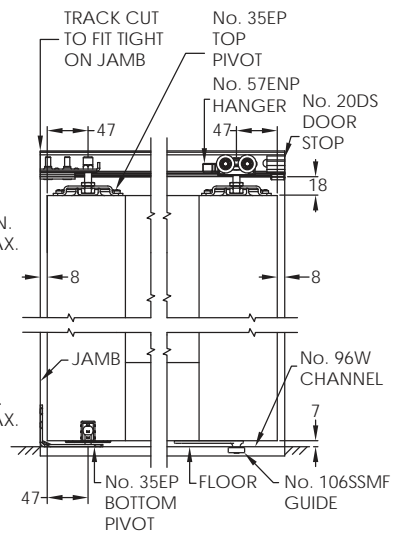
No. 35EP - BOTTOM PIVOT SOCKET



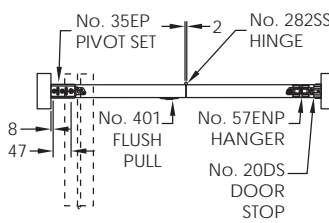
2 OR 2+2 PANEL:  
NO GUIDE AND CHANNEL



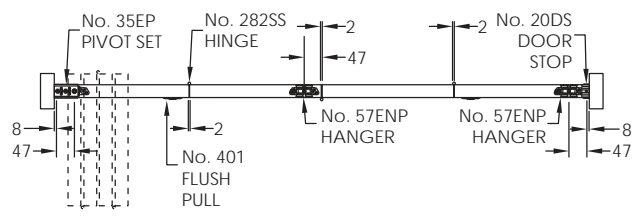
4 - 6 PANEL  
No. 106SSMF GUIDE WITH No. 96W CHANNEL



2 OR 2+2 PANEL:  
NO GUIDE AND CHANNEL



4 PANEL  
No. 106SSMF GUIDE WITH No. 96W CHANNEL



6 PANEL  
No. 106SSMF GUIDE WITH No. 96W CHANNEL

