

Application

Widely used in lighter commercial and industrial applications.

To cover any width of opening, any number of doors can be used.

To accommodate different building designs, doors can slide to one or both sides.

Hinged door for easy access may be incorporated into a sliding door.

Where doors are fitted externally, a canopy is recommended.

Door Specification

Track System:

For Individual Doors:

Max Door Height	3000mm
Max Door Weight Nylon Tyre Hanger	120kg
Door Thickness	19-48mm

Single Run 120

For ease of operation it is recommended that the door width should not exceed 75% of the height of door height.

Timber doors for interior use can be of flush construction or glazed.

Timber doors for industrial applications should be framed, ledged and braced.

Metal doors should be constructed of box section, channel or angle framing, well braced and clad with flat or corrugated sheets.

Standard Sets and Packs

Sets comprise of top track, hangers, doors stops, nylon guides, screws and instructions.

Set No.	Max. Door Width	Track Length
SR120-20/1	950mm	2000mm
SR120-30/1	1450mm	3000mm
Pack Set No. SR120-1PK	Fitting pack only no track	

Hardware Specification

Track:

Material	120
Finish	Aluminium
Standard Lengths	Mill or Clear Anodised
Aluminium track available in mill or clear anodised	2000mm, 3000mm, 4000mm and 6000mm

Brackets:

Face fitted stainless steel angle	91
Double face fitted bracket SS	5SS/120
Fit at 600mm maximum centres	

Hangers (2 per door):

Hangers:

MDF Doors - face fitting	50EN	Full Stainless
Timber Doors - plate (surface)	57EN	-
Timber Doors - angle frame	56EN	56SS/EN
Timber Door - plate (flush)	58EN	58SS/EN

All hangers suffixed 'N' have nylon tyre wheels and are fitted with ball race bearings.

Nylon tyre wheel hangers should not be used on installations involving temperatures exceeding 80°C.

Guides:

Timber Doors - SS plate fitting	106E/94
Timber Doors - nylon guide	101N
Multiple Doors	102W/94SS

Channels:

Aluminium	94A Aluminium
Finish	94PPA Aluminium support & Polypropylene
Standard lengths	Aluminium - Mill or Clear Anodised
	2000mm, 3000mm, 4000mm and 6000mm

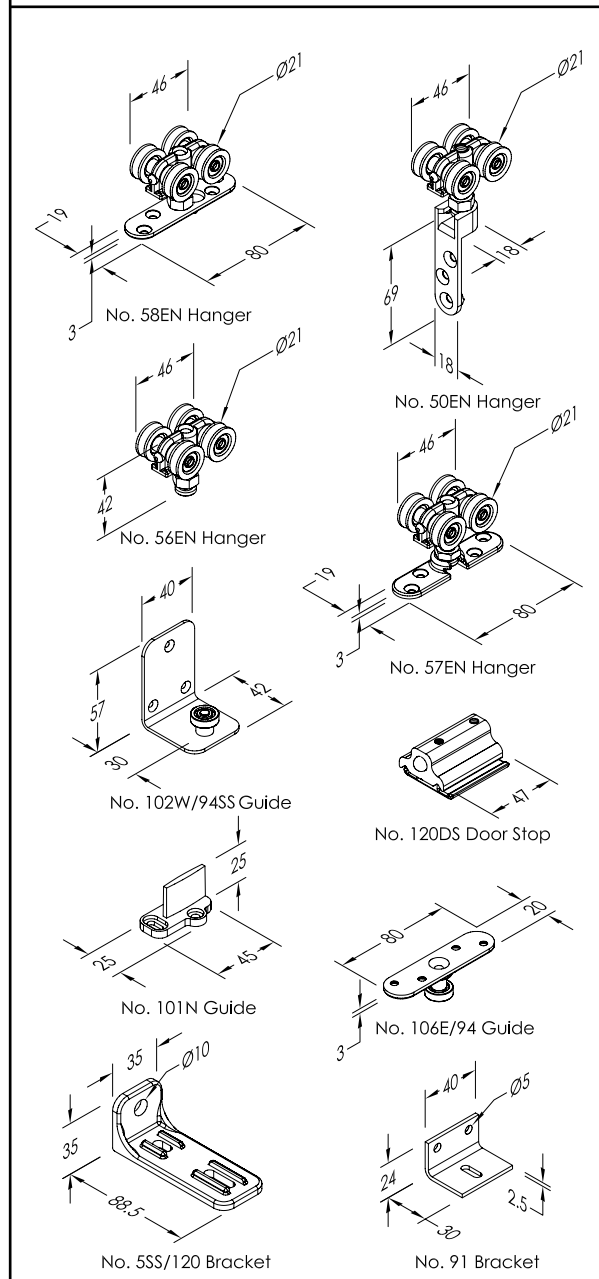
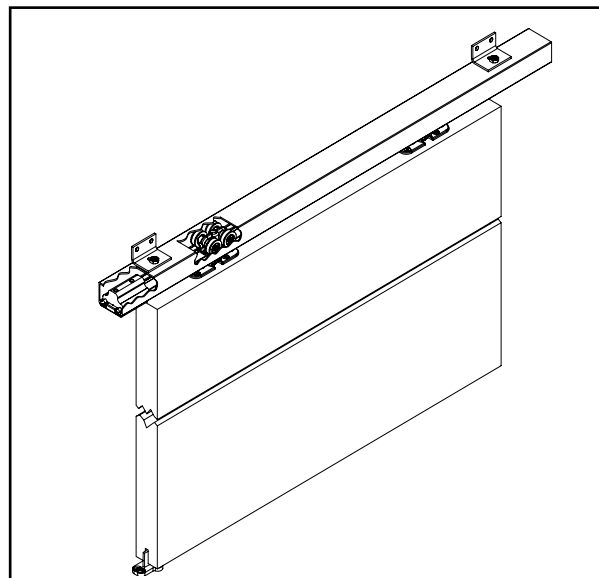
Brass

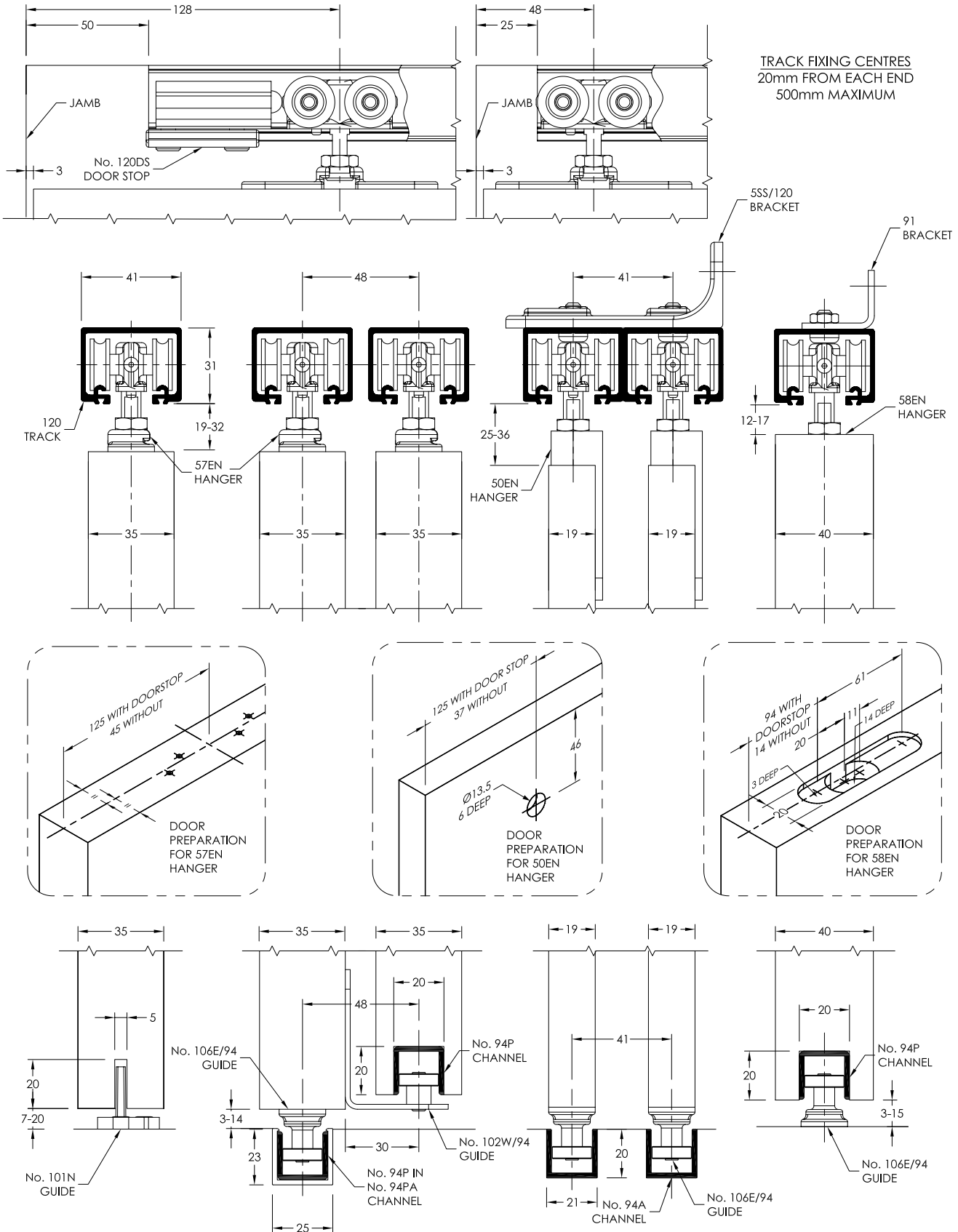
Standard Lengths	94B Brass
	2000mm, 3000mm, 4000mm and 6000mm

Accessories:

Flush pulls	401
Door stop	120DS
Locks	6400 Series Sliding mortice locks
Flush Bolts	456

Flush bolts and flush pulls are available in (PVDB) PVD Brass, (SN) Satin Nickel & (PN) Polished Nickel





B120B