

Application

Widely used in lighter commercial and industrial applications.
 To cover any width of opening, any number of doors can be used.
 To accommodate different building designs, doors can slide to one or both sides.
 Hinged door for easy access may be incorporated into a sliding door.
 Where doors are fitted externally, a canopy is recommended.

Door Specification

Track System: Single Run 180
 For Individual Doors:
 Max Door Height 3500mm
 Max Door Weight Nylon Tyre Hanger 180kg
 Door Thickness 35-48mm
 For ease of operation it is recommended that the door width should not exceed 75% of the height of door height.
 Timber doors for interior use can be of flush construction or glazed.
 Timber doors for industrial applications should be framed, ledged and braced.
 Metal doors should be constructed of box section, channel or angle framing, well braced and clad with flat or corrugated sheets.

Hardware Specification

Track: 180
 Material Aluminium
 Standard Lengths 2000mm, 3000mm, 4000mm and 6000mm
 Aluminium track available in mill or clear anodised

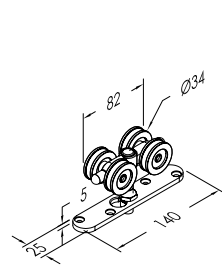
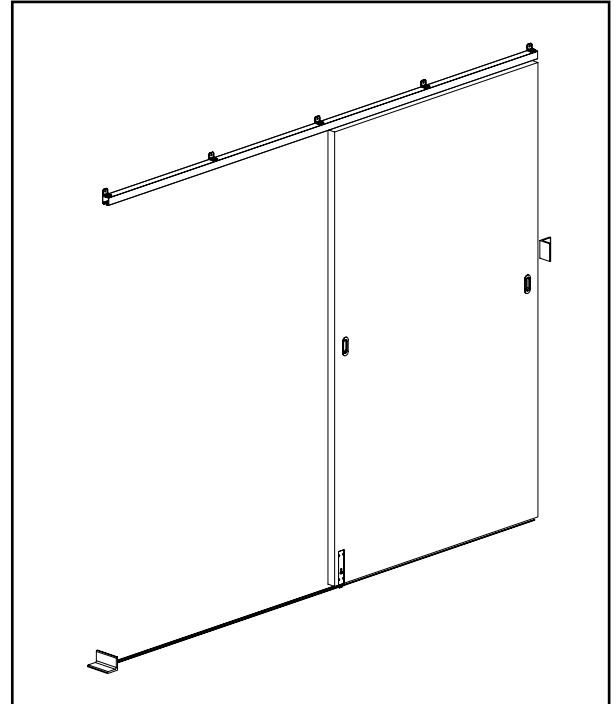
Brackets:
 Face fitted stainless steel angle 1SS/250
 Double face fitted bracket SS 5SS/120
 Fit at 900mm maximum centres

Hangers (2 per door):
Hangers: Full Stainless
 Timber Doors - angle fitting 52GN 52SS/GN
 Timber Doors - plate fitting 57GN 57SS/GN
 Metal Doors - angle frame 56GN 56SS/GN
 Metal Doors - box frame 56GLN 56SS/GLN
 Metal Doors - plate fitting 57GN 57SS/GN
 All hangers suffixed 'N' have nylon tyre wheels and are fitted with ball race bearings.
 Nylon tyre wheel hangers should not be used on installations involving temperatures exceeding 80°C.

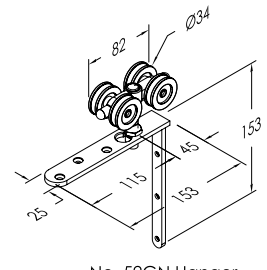
Guides:
 Timber Doors - SS plate fitting 106RB/94
 Multiple Doors 102W/94SS

Channels:
 Aluminium 94A Aluminium
 94PPA Aluminium Support & Polypropylene
 Finish Aluminium - Mill or Clear Anodised
 Standard lengths 2000mm, 3000mm, 4000mm and 6000mm
 Brass 94B Brass
 Standard Lengths 2000mm, 3000mm, 4000mm and 6000mm

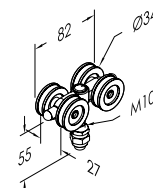
Accessories:
 Flush pulls 401
 Door stop 180DS
 Locks 6400 Series Sliding mortice locks
 Flush Bolts 456
 Flush bolts and flush pulls are available in (PVDB) PVD Brass, (SN) Satin Nickel & (PN) Polished Nickel



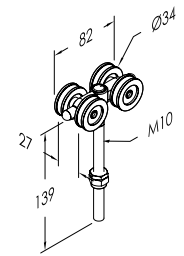
No. 57GN Hanger



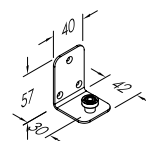
No. 52GN Hanger



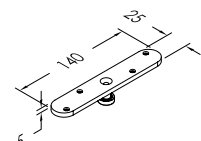
No. 56GN Hanger



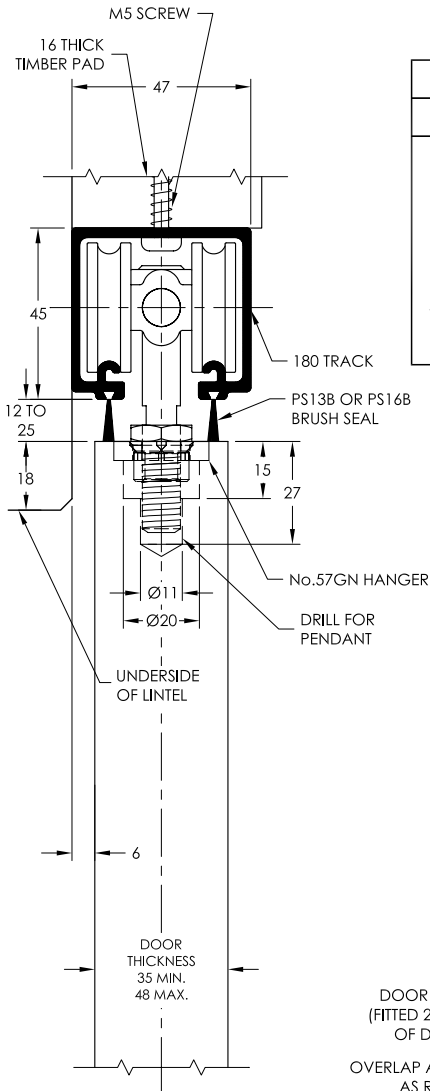
No. 56GLN Hanger



No. 102W/94SS Guide



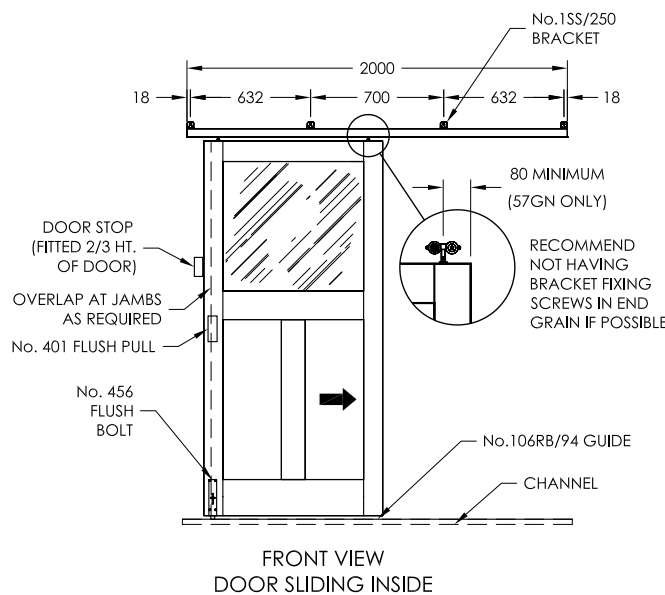
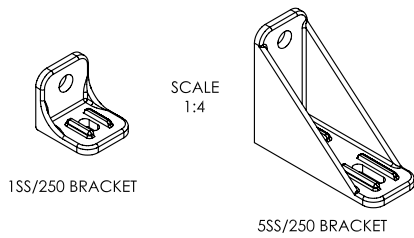
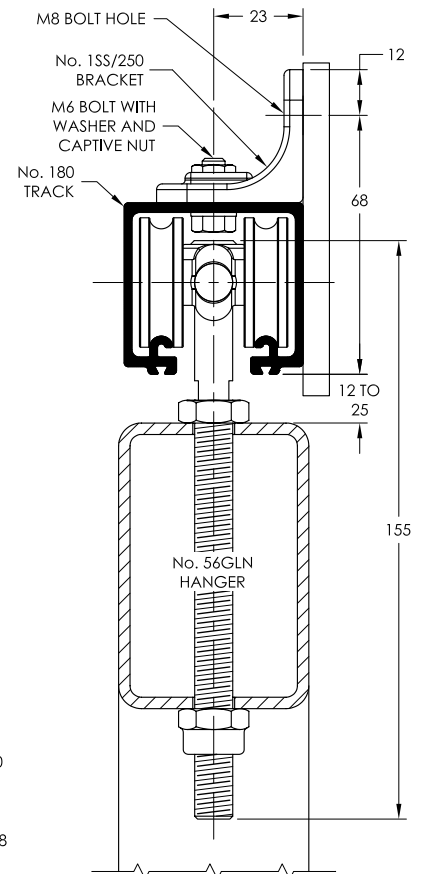
No. 106RB/94 Guide



STANDARD TRACK LENGTH	2000	3000	4000	6000
NORMAL BRACKET CENTRES	650 - 700	750	800	750

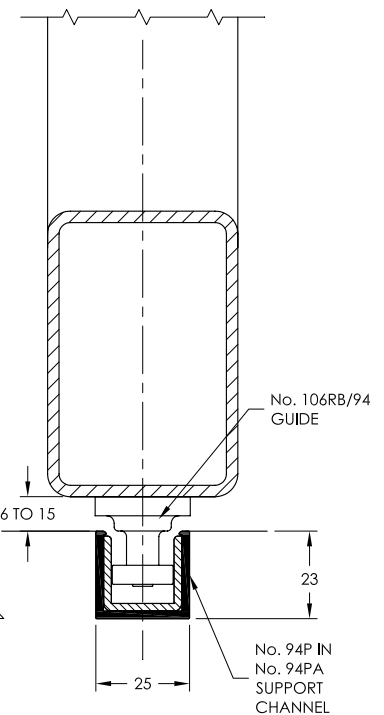
FOR HEAVY DOORS, OR THOSE SUBJECTED TO ABNORMAL USE, BRACKET CENTRES SHOULD BE REDUCED TO 500

CENTRE 'E' IS BALANCE OF TRACK LENGTH LESS 18 WITH 1SS/250 BRACKETS



HANGERS AND GUIDES AVAILABLE WITH SHORT STEM FOR ANGLE OR CHANNEL FRAMED DOOR

SECTION SCALE 1:2



GUIDE SYSTEMS WITH CHANNEL

SECTION SCALE 1:2

