

## Application

Widely used in lighter commercial and industrial applications.

To cover any width of opening, any number of panels can be used.

To accommodate different building designs, panels can slide to one or both sides.

Hinged panel for easy access may be incorporated into a sliding system.

Where panels are fitted externally, a canopy is recommended.

## Panel Specification

### Track System:

|                        |                       |
|------------------------|-----------------------|
| For Individual Panels: | <b>Single Run 180</b> |
| Max Panel Height       | 3000mm                |
| Max Panel Weight       | 180kg                 |
| Min Panel Thickness    | 35mm                  |

For ease of operation it is recommended that the panel width should not exceed 75% of panel height.

Timber panels for interior use can be of flush construction or glazed. Timber panels for industrial applications should be framed, ledged and braced. Metal panels should be constructed of box section, channel or angle framing, well braced and clad with flat or corrugated sheets.

## Hardware Specification

### Track:

|                  |                                   |
|------------------|-----------------------------------|
| Material         | 180A                              |
| Finish           | Aluminium                         |
| Standard lengths | Mill or clear anodised            |
|                  | 2000mm, 3000mm, 4000mm and 6000mm |

### Brackets:

|                                   |         |
|-----------------------------------|---------|
| Face fitted stainless steel angle | 1SS/250 |
| Double face fitted bracket SS     | 5SS/250 |
| Fit at 400mm maximum centres      |         |

### Hangers (2 per panel):

|                               |       |                  |
|-------------------------------|-------|------------------|
| Timber panels - angle fitting | 52GN  | Stainless Option |
| Timber panels - plate fitting | 57GN  | 52SS/GN          |
| Metal panels - angle frame    | 56GN  | 57SS/GN          |
| Metal panels - box frame      | 56GLN | 56SS/GN          |
| Metal panels - plate fitting  | 57GN  | 56SS/GLN         |
|                               |       | 57SS/GN          |

Hanger supplied with timber screws, fixing plate and nylon tyred precision bearings. Vertical adjustment is simple and positive. Nylon tyre wheel hangers should not be used on installations involving temperatures exceeding 80°C.

### Guides:

|                                  |          |
|----------------------------------|----------|
| Timber panels - SS plate fitting | 106RB/94 |
| Multiple panels - bearing        | 106A/94  |
| Multiple panels - T slot         | 106AT    |

### Channels:

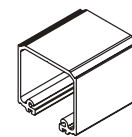
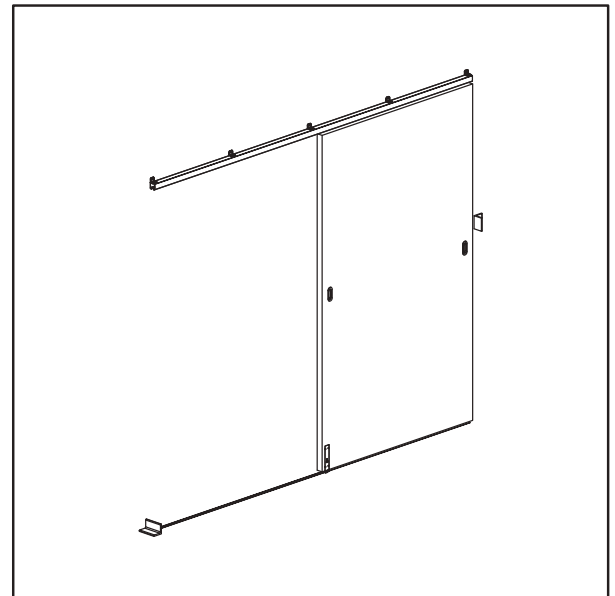
|                           |                                   |
|---------------------------|-----------------------------------|
| Aluminium                 | 94A Mill or clear anodised        |
| Aluminium & Polypropylene | 94PPA Mill or clear anodised      |
| Brass                     | 94B                               |
| Standard lengths          | 2000mm, 3000mm, 4000mm and 6000mm |

### Accessories:

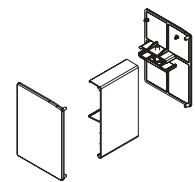
|                                  |        |
|----------------------------------|--------|
| Door Collector - multiple panels | 924-DC |
| Door Stop                        | 180DS  |
| Flush Pulls                      | 401    |
| Flush Bolts                      | 456    |

Flush bolts and flush pulls are available in (PVDB) PVD Brass, (SN) Satin Nickel & (PN) Polished Nickel

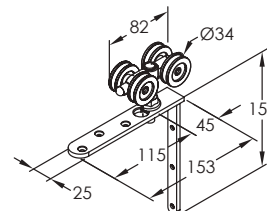
|   |       |
|---|-------|
| Simultaneous Accessory Kit - 2 door panel | SIM/2 |
| Telescopic Accessory Kit - 2 door panel   | TEL/2 |
| Telescopic Accessory Kit - 3 door panel   | TEL/3 |
| Fascia & end caps in CA or SPEC           | 183   |



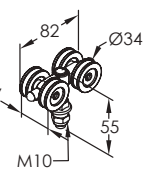
No. 180A TRACK



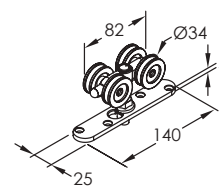
No. 183 FASCIA WITH END CAPS



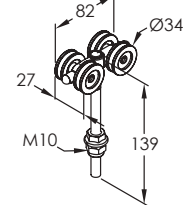
No. 52GN HANGER



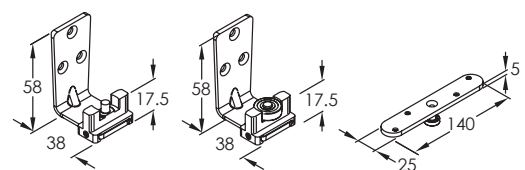
No. 56GN HANGER



No. 57GN HANGER



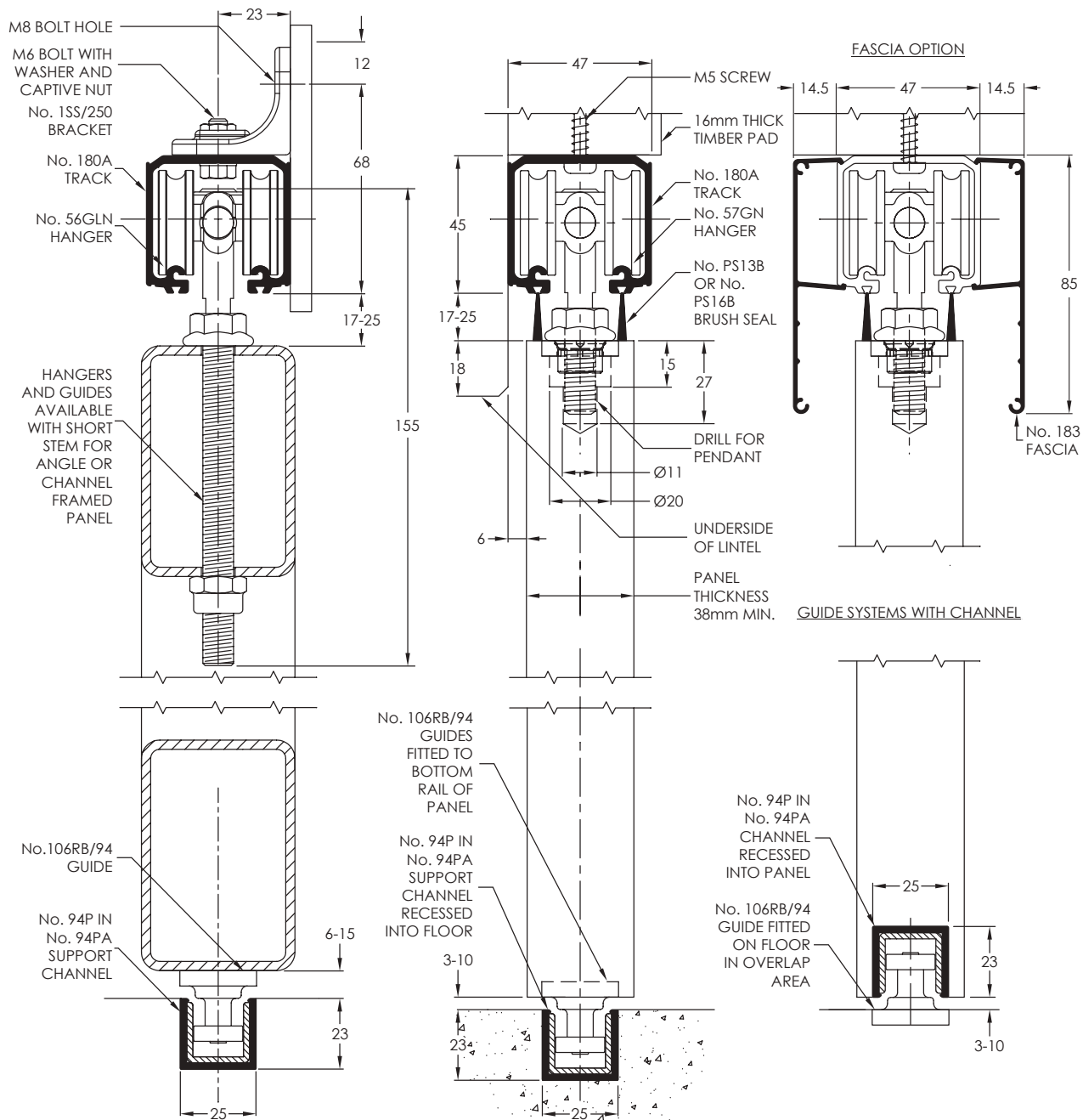
No. 56GLN HANGER



No. 106AT GUIDE

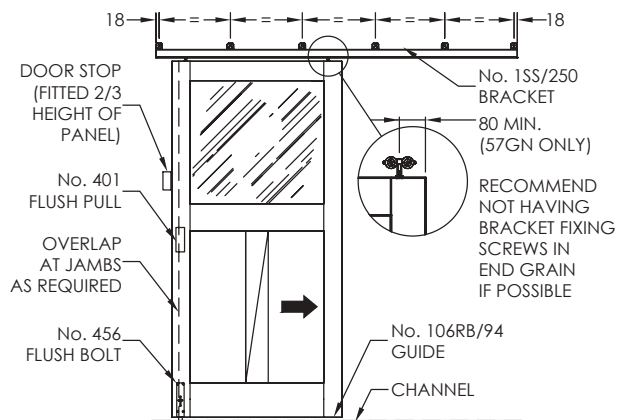
No. 106A/94 GUIDE

No. 106RB/94 GUIDE



**HARDWARE PLACEMENT**  
FRONT VIEW (PANEL SLIDING INSIDE)

**BRACKET PLACEMENT**  
18mm TO CENTRE OF FIRST BRACKET FROM EACH END, THEN A BRACKET APPROXIMATELY EVERY 400mm CENTRES.



| STANDARD TRACK LENGTH | 2000 | 3000 | 4000 | 6000 |
|-----------------------|------|------|------|------|
| No. OF BRACKETS       | 6    | 9    | 11   | 16   |

